

Features

- Ultra small package: 1.0x0.6x0.5mm
- Ultra low capacitance: 0.5pF typical
- Ultra low leakage: nA level
- Low operating voltage: 5V
- Low clamping voltage
- 2-Pin leadless package
- Complies with following standards:
 - IEC 61000-4-2 (ESD) immunity test
Air discharge: ±30kV
Contact discharge: ±25kV
 - IEC61000-4-4 (EFT) 40A (5/50ns)
 - IEC61000-4-5 (Lightning) 5A (8/20µs)
- RoHS Compliant

Mechanical Characteristics

- Package: DFN1006-2 (1.0×0.6×0.5mm)
- Lead Finish: NiPdAu
- Case Material: “Green” Molding Compound.
- UL Flammability Classification Rating 94V-0
- Moisture Sensitivity: Level 3 per J-STD-020
- Terminal Connections: See Diagram

Applications

- Cellular Handsets and Accessories
- Display Ports
- MDDI Ports
- USB Ports
- Digital Video Interface (DVI)
- PCI Express and Serial SATA Ports

Part Number Code

| | | | | | | | | |
|----------|----------|----------|----------|----------|----------|----------|----------|----------|
| E | S | D | 0 | 5 | 1 | 1 | L | 1 |
| 1 | 2 | 3 | 4 | 5 | 6 | 7 | 8 | 9 |

| Product Type | |
|--------------|---------------------------------------|
| ESD | TSK Electrostatic suppressor ESD Type |

| Reverse Working Voltage (V) | |
|-----------------------------|------|
| 3V3 | 3.3V |
| 05 | 5V |
| 16 | 16V |

| Line | |
|------|--------|
| 1 | 1-Line |
| 2 | 2-Line |
| 3 | 3-Line |

| Capacitance Type | |
|------------------|--------|
| L | Low |
| X | Normal |

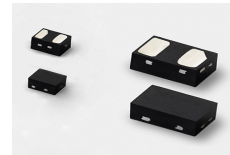
| directional | |
|-------------|-----|
| 0 | Bi |
| 1 | Uni |

| Size | |
|------|---------|
| 1 | 0201 |
| 2 | 0402 |
| 3 | DFN0603 |
| 4 | DFN1006 |

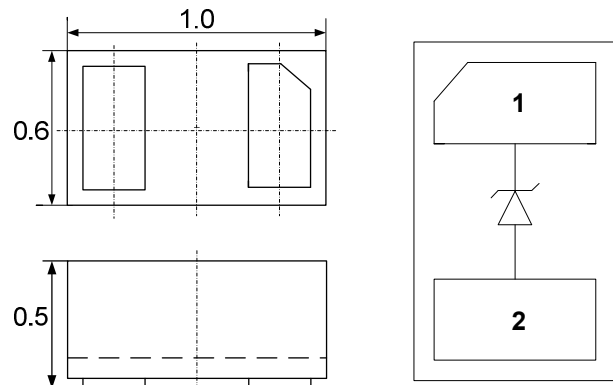
★ Code 4 to 9 is optional

Description

The ESD0511L4 is an uni-directional TVS diode, utilizing leading monolithic silicon technology to provide fast response time and low ESD clamping voltage, making this device an ideal solution for protecting voltage sensitive high-speed data lines. The ESD0511L4 has an ultra-low capacitance with a typical value at 0.5pF, and complies with the IEC 61000-4-2 (ESD) standard with ±15kV air and ±8kV contact discharge. It is assembled into an ultra-small 1.0x0.6x0.5mm lead-free DFN package. The small size, ultra-low capacitance and high ESD surge protection make ESD0511L4 an ideal choice to protect cell phone, digital video interfaces, HDMI, DVI, USB2.0, USB3.0, and other high speed ports.



Dimensions and Pin Configuration



Package Dimensions

Circuit and Pin Schematic

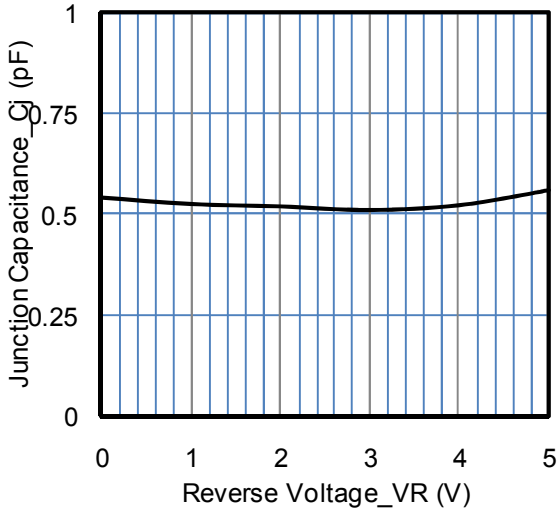
Absolute Maximum Ratings ($T_A=25^{\circ}\text{C}$ unless otherwise specified)

| Parameter | Symbol | Value | Unit |
|--|------------------|-------------|--------------------|
| Peak Pulse Power (8/20 μs) | Ppk | 100 | W |
| Peak Pulse Current (8/20 μs) | I _{PP} | 5 | A |
| ESD per IEC 61000-4-2 (Air) | V _{ESD} | ± 30 | kV |
| ESD per IEC 61000-4-2 (Contact) | | ± 25 | |
| Operating Temperature Range | T _J | -55 to +125 | $^{\circ}\text{C}$ |
| Storage Temperature Range | T _{stg} | -55 to +150 | $^{\circ}\text{C}$ |

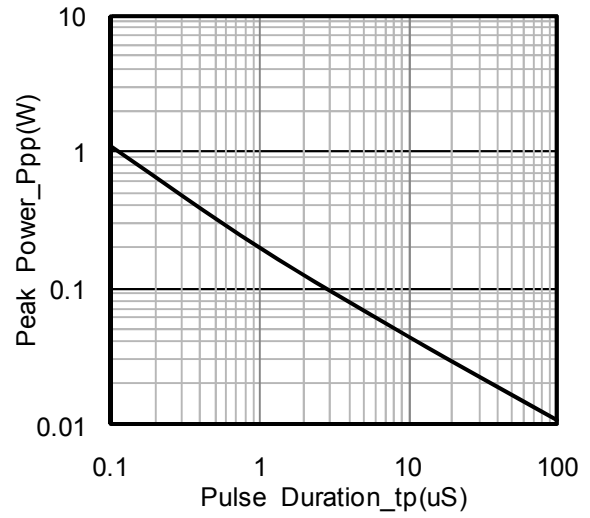
Electrical Characteristics ($T_A=25^{\circ}\text{C}$ unless otherwise specified)

| Parameter | Symbol | Min | Typ | Max | Unit | Test Condition |
|-------------------------|------------------|-----|------|-----|---------------|---|
| Reverse Working Voltage | V _{RWM} | | | 5 | V | |
| Breakdown Voltage | V _{BR} | 6 | | | V | I _T = 1mA |
| Reverse Leakage Current | I _R | | 0.02 | 0.1 | μA | V _{RWM} = 5V |
| Clamping Voltage | V _C | | | 9 | V | I _{PP} = 1A (8 x 20 μs pulse) |
| Clamping Voltage | V _C | | | 20 | V | I _{PP} = 5A (8 x 20 μs pulse) |
| Junction Capacitance | C _J | | 0.2 | | pF | V _R = 0V, f = 1MHz |

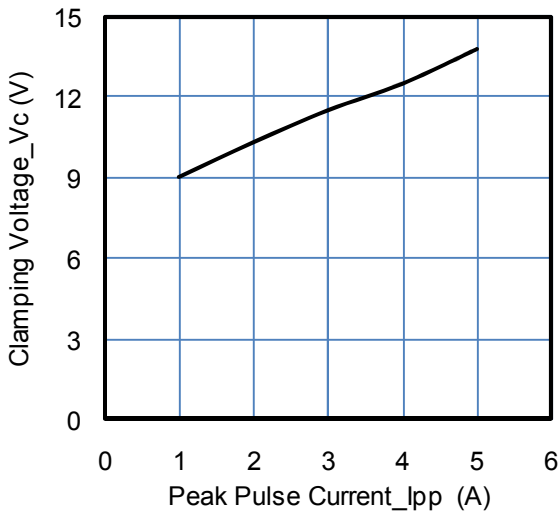
Typical Performance Characteristics (TA=25°C unless otherwise Specified)



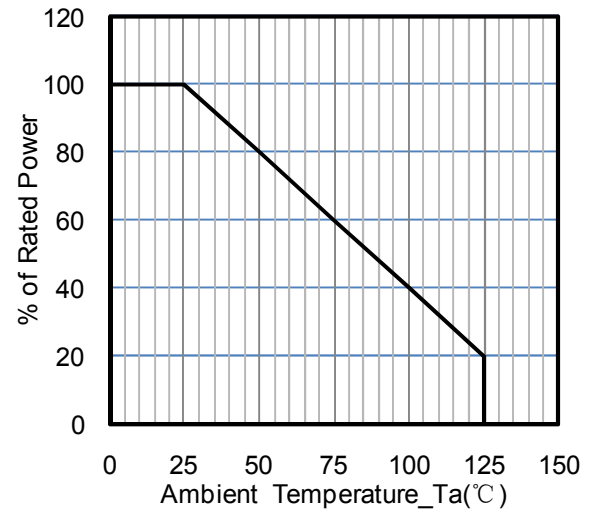
Junction Capacitance vs. Reverse Voltage



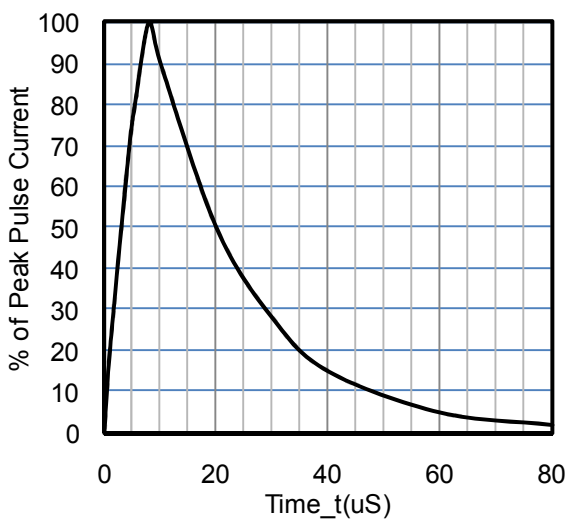
Peak Pulse Power vs. Pulse Time



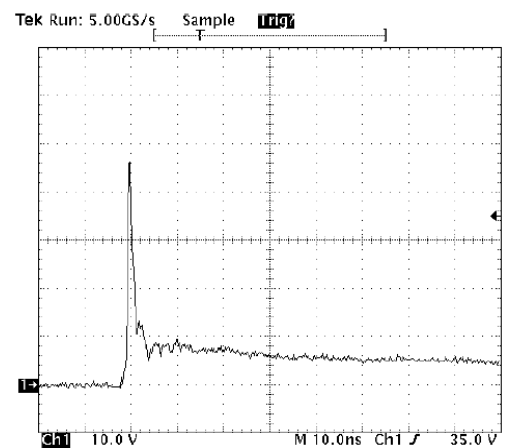
Clamping Voltage vs. Peak Pulse Current



Power Derating Curve



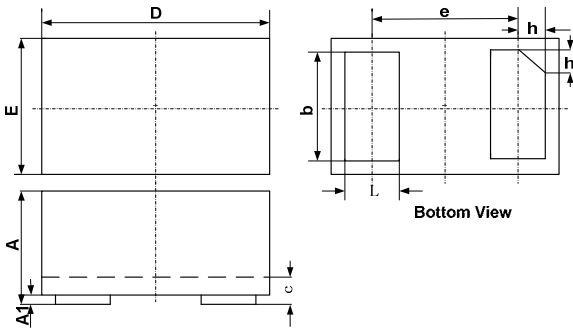
8 X 20us Pulse Waveform



ESD Clamping Voltage

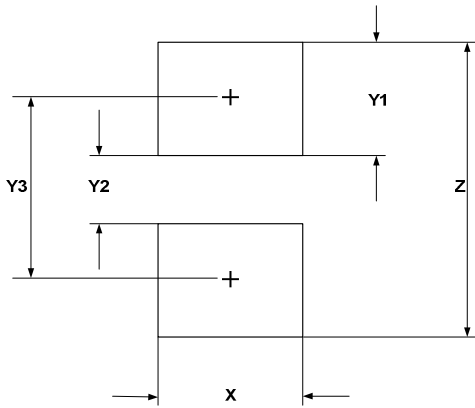
8 kV Contact per IEC61000-4-2

DFN1006-2 Package Outline Drawing



| SYM | DIMENSIONS | | | | | |
|-----|-------------|------|------|-----------|-------|-------|
| | MILLIMETERS | | | INCHES | | |
| | MIN | NOM | MAX | MIN | NOM | MAX |
| A | 0.45 | 0.50 | 0.55 | 0.018 | 0.020 | 0.022 |
| A1 | 0.00 | 0.02 | 0.05 | 0.000 | 0.001 | 0.002 |
| b | 0.45 | 0.50 | 0.55 | 0.018 | 0.020 | 0.022 |
| c | 0.12 | 0.15 | 0.18 | 0.005 | 0.006 | 0.007 |
| D | 0.95 | 1.00 | 1.05 | 0.037 | 0.039 | 0.041 |
| e | 0.65 BSC | | | 0.026 BSC | | |
| E | 0.55 | 0.60 | 0.65 | 0.022 | 0.024 | 0.026 |
| L | 0.20 | 0.25 | 0.30 | 0.008 | 0.010 | 0.012 |
| h | 0.07 | 0.12 | 0.17 | 0.003 | 0.005 | 0.007 |

Suggested Land Pattern



| SYM | DIMENSIONS | |
|-----|-------------|--------|
| | MILLIMETERS | INCHES |
| X | 0.60 | 0.024 |
| Y1 | 0.50 | 0.020 |
| Y2 | 0.30 | 0.012 |
| Y3 | 0.80 | 0.032 |
| Z | 1.30 | 0.052 |

Ordering Information

| Part Number | Packaging | Reel Size |
|-------------|-------------------|-----------|
| ESD0511L4 | 10000/Tape & Reel | 7 inch |